

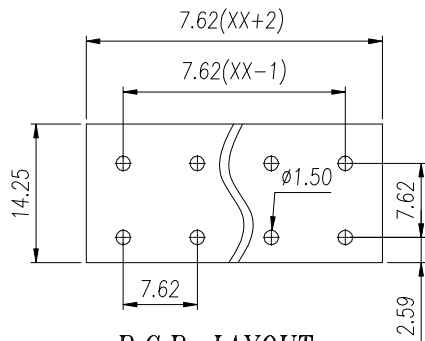


慈溪市万捷电子有限公司

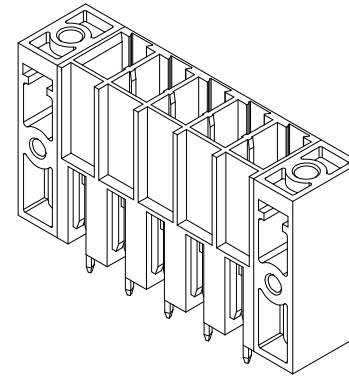
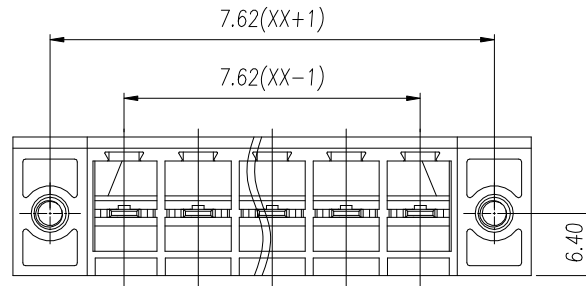
CIXI WANJIE ELECTRONIC CO., LTD

REVISION RECORD

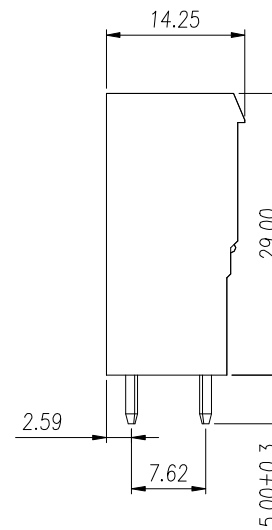
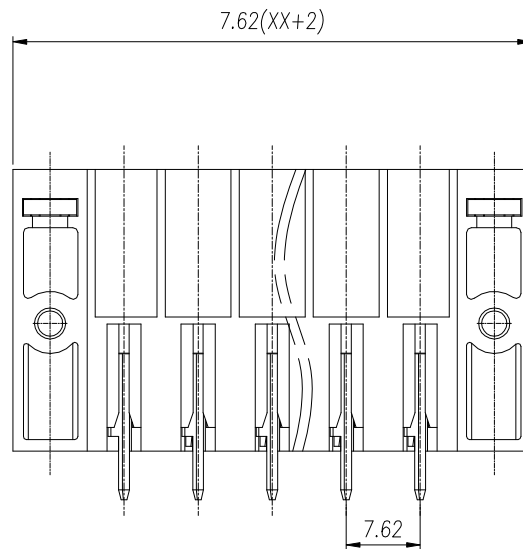
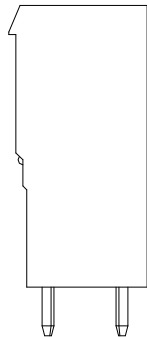
REV.	DESCRIPTION	ECN No.	APPROVED	DATE



P.C.B. LAYOUT



UL/CUL 技术参数	UL/CUL Technical Data				
等级	Use Group	B	C		D
额定电压	Rated Voltage [V]	300	300	300	
额定电流	Rated Current [A]	30	30	10	
接线范围	Wire Range	-			
单/多芯线	Solid/Stranded [AWG]	-			
耐电压	Withstanding Voltage	1600V/1Min			
IEC 技术参数		IEC61984			
IEC Technical Data		IEC61984			
过电压类别	Overvoltage Category	III	III	II	
污染等级	Contamination Class	3	2	2	
额定电压	Rated Voltage [V]	400	630	1000	
额定电流	Rated Current [A]	20	20	20	
额定冲击电压	Impulse withstand voltage [KV]	6.0	6.0	6.0	
导线截面积	Conductor cross section	-			
硬质/柔性导线	Solid/flexible [mm ²]	-			
材料		Material			
绝缘材料	Insulation Material	PA66			
阻燃等级	Inflammability	UL94V-0			
导体材料	Contact Material	铜合金 Copper alloy			
导体表面镀层	Contactive Coating	镀锡 Sn Plated			
一般参数		Other Data			
间距	Pitch /极数 Poles [mm]/[P]	7.62 / 02~24			
剥线长度	Stripping Length [mm]	-			
螺丝	Screw/扭矩 Torque(Max) [N.m]	-			
工作温度	Operating temperature [°C]	-40~105			
焊接温度	Soldering temperature	260°C/5S			
引针尺寸	Pin Dimensions [mm]	0.8*1.0			
PCB板孔径	PCB Hole Diameter [mm]	Ø1.5			



linear dimension(Tolerances Standard GB/T 14486-2008)

variable range	to 6	over 6 to 10	over 10 to 30	over 30 to 60	over 60 to 100	over 100 to 160	tolerance	—	∕	⊥
tolerance	±0.20	±0.30	±0.50	±0.70	±1.00	±1.30	±1.60	0.10	0.30	0.60

单位 / UNITS	mm	尺寸 / SIZE	A4	比例 / SCALE	1:3.1	第三视角 / THIRD ANGLE PROJECTION	版本 / REV	V0
慈溪市万捷电子有限公司 CIXI WANJIE ELECTRONIC CO., LTD						名称 / TITLE WJ3EDGVZM-7.62-XXP-1YY-00A		